

FLUTED PENDANT - ILLUMINATED | Saraburi Marble Lighting



DESCRIPTION

The Saraburi Marble Fluted Pendant continues our collaboration with the talented marble artisans from N Wisanu Marble workshop in Saraburi Province. Richly textured Thai stone in both solid and striped colors are turned by hand on a stone lathe. The internally illuminated version of this design takes advantage of the translucency of onyx and white marble, creating an ethereal glow when the lamp is turned on.

MATERIALS

Marble, Glass Bulb, Cotton Cord, Ceiling Canopy

BULB + SOCKET (INCLUDED)

G9 / 6W LED / 600 Lumens max / 2700K

DIMMER

Compatible with LED Dimmers (Emery Allen does not recommend the use of Lutron CL 153 series dimmers)

MOUNTING

Ceiling canopy mounts to all standard electrical boxes

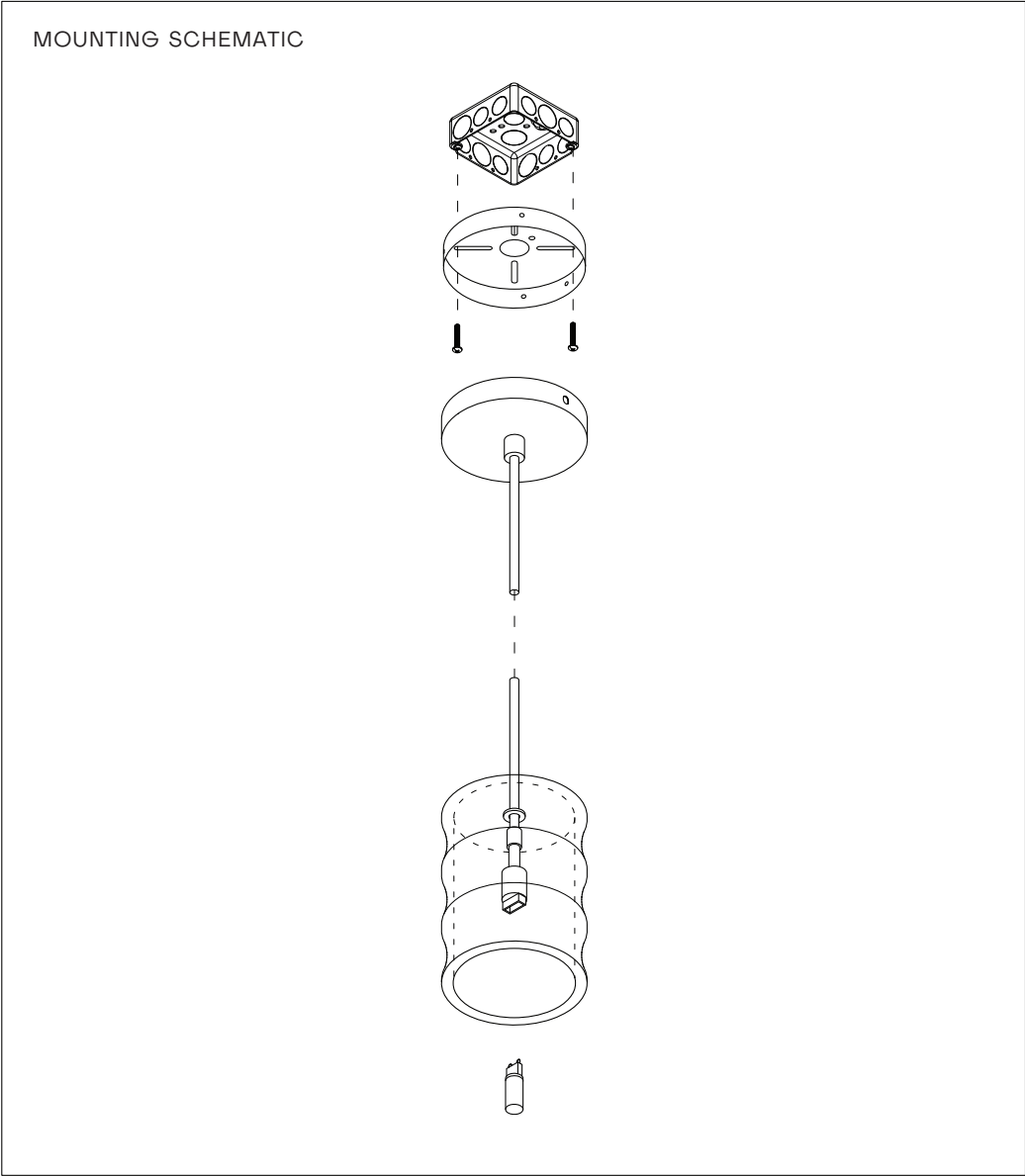
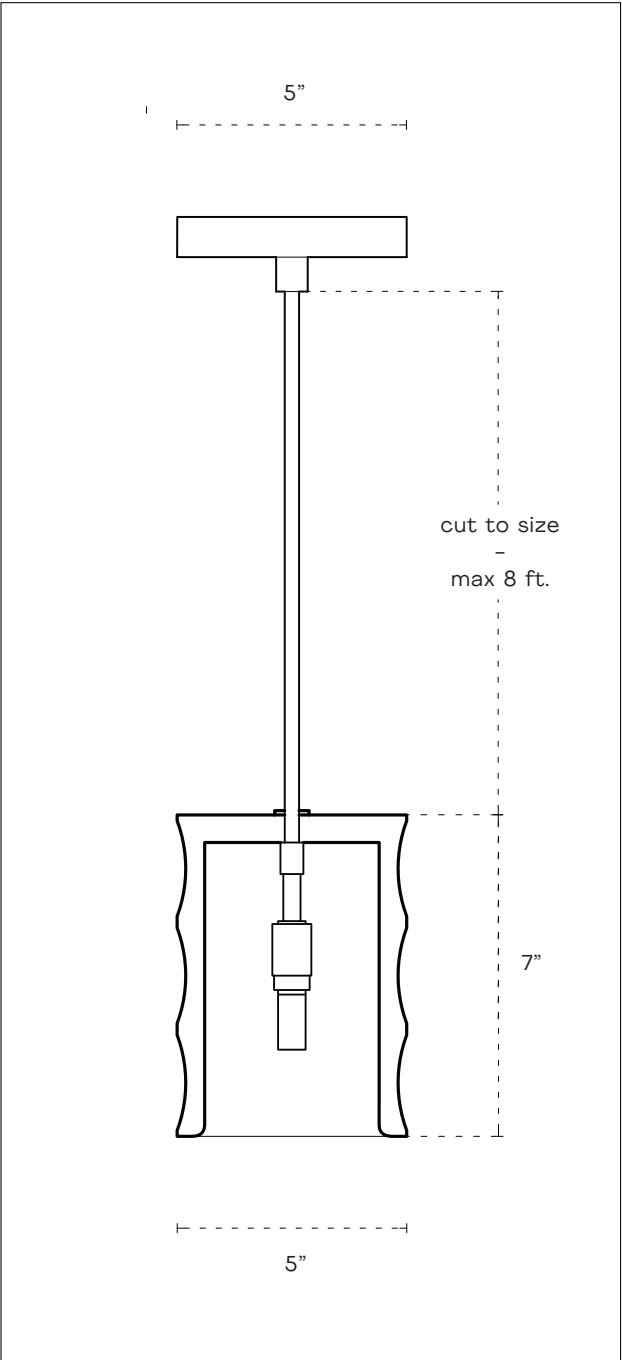
LEAD TIME

8 weeks custom (in stock lamps ship in 2 weeks)

CERTIFICATIONS

Available upon request
UL listing (+\$150 per unit)

TECHNICAL DRAWINGS



SUKRACHAND

FINISH OPTIONS

Marble is a natural material and variance in color and veining should be expected.

We photograph individual marble shades and archive them in the product pages of our [website](#), allowing for you to choose the exact slabs you will receive for your order.

We currently offer the following finishes of Saraburi Marble for Fluted Pendant - Illuminated:

Black and White
Textured Honey Onyx



SUKRACHAND